

**CAB**

- Low internal noise level of just 78 dBA ensures operator comfort.
- Large areas of tinted glass allow superb all round visibility.
- Low line curved hood enhances forward visibility.
- Full depth rear window for comprehensive visibility to the trench.
- In the raised position the rear window provides ventilation yet gives protection from rain.
- Door windows can be partially or fully opened for maximum ventilation.
- Cab is ROPS and FOPS approved for maximum operator comfort.
- Well laid out controls for ease of operation.
- Touch operated switches for operator convenience.
- Instrumentation easy to clean.
- Spacious interior giving ample room to the operator at both work stations.
- Wide door opening, self-cleaning steps and large grab rails make access easy.
- Adjustable tilt steering wheel to suit all operating styles.
- Fully adjustable suspension seat with lap belt maximises operator comfort.
- Air re-circulation enables quick warm up on cold days.
- Two front and two rear defrosting vents.
- Powerful 3 speed heater supplies a further two forward and three rear vents.
- Air conditioning option available.
- Extensive stowage facilities.
- Heavy duty easy to clean rubber floor mat.
- Twin externally mounted rear view mirrors.
- Hazard warning and full lighting controls.
- Audible/visual warning covering park brake, transmission oil temp, engine coolant, engine oil pressure, hydraulic oil filter and air cleaner.
- Visual indication on 4wd engagement, hazard lights, main beam, battery charge, direction indicators and front / rear wipers.
- Adjustable rear working lights.
- ROPS canopy version available.
- Vandal covers for the instrumentation consoles on the ROPS canopy.

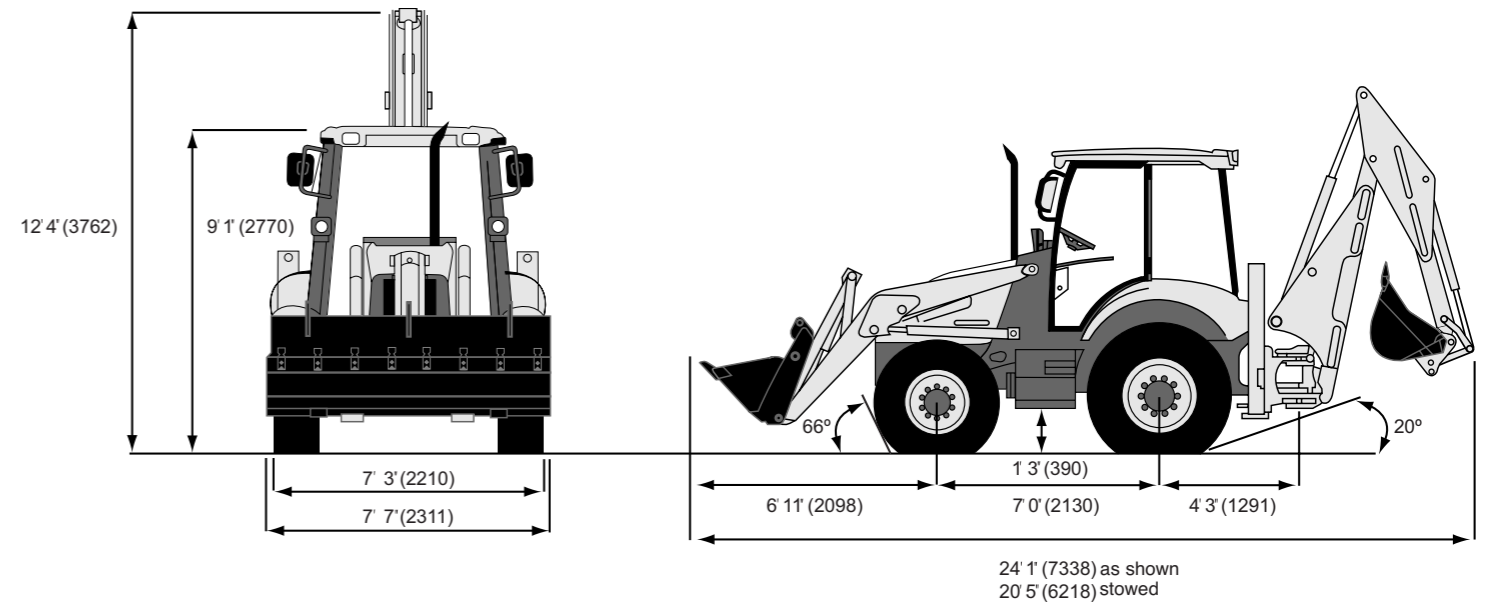
**HYDRAULICS**

- Closed centre flow sharing system.
- Twin gear pumps for simplicity and reliability.
- Power Boost to match digging power and speed to application.
- Automatic or manually activated to give more precise control as required.
- Independent operation of stabilisers and extending dipper (opt).
- Hydraulic oil cooler reduces operating temperatures. Now cleanable.
- Hydraulic tank and filter easily accessed from ground level.

| @ 2200 rpm                 |           |          |
|----------------------------|-----------|----------|
| Main Pump                  | gpm (lpm) | 17.7/80  |
| Secondary Pump             | gpm (lpm) | 13.7/62  |
| System Main Relief Setting | psi (bar) | 3250/225 |
| Unloader Settings          | psi (bar) | 3000/207 |

**TOTAL MACHINE WEIGHT**

|                                 | lb (kg) |              |
|---------------------------------|---------|--------------|
| Total Machine Weight            |         | 15763 (7165) |
| Add/Delete                      |         |              |
| 7 in 1 Multi - Purpose          | lb (kg) | +726 (330)   |
| 7 in 1 Multi - Purpose Fork Kit | lb (kg) | +330 (150)   |
| Deep Dig Dipper                 | lb (kg) | +477 (217)   |
| ROPS Frame                      | lb (kg) | -422 (192)   |



**ENGINE**

- Emission compliant to EC Stage 2 and EPA Tier 2.
- Higher horsepower and increased torque back up for lugging ability.
- Electric fuel lift pump for increased reliability.
- Easy service ECOplus fuel filter.
- Service periods increased to 500 hours.

|   |                       | CE          |
|---|-----------------------|-------------|
| Engine Model                                    |                       | 1104C-44T   |
| Capacity  | in <sup>3</sup> (ltr) | 269 (4.4)   |
| Rated Speed                                     | rpm                   | 2200        |
| Gross Power @ 2200 rpm                          | kW(hp)                | 68.5 (92*)  |
| Certified Rating to ISO/TR 14396                |                       |             |
| Derived Net Rating @ 2200 rpm to ISO/80/1269/EC | kW(hp)                | 64.3* (86*) |
| Max Torque @ 1400 rpm                           |                       |             |
| ISO/TR 14396                                    | Nm(lbfft)             | 395 (291*)  |
| ISO 80/1269/EC                                  | Nm(lbfft)             | 375* (275*) |

\* Nominal Non-Certified Values

**TRANSMISSION**

- 4 speed synchro shuttle gearbox
- Single stage torque converter with 3.01:1 stall ratio.
- High transport speed reduces highway journey times.
- Modulated forward and reverse clutch packs enable smooth direction changes.
- 4WD standard and 2WD optional.
- Front console switch allows effortless engagement of 4WD on the move.

| Tyres                               | Front:     | 12.5 x 18   | 12.5 x 18   |
|-------------------------------------|------------|-------------|-------------|
|                                     | Rear:      | 16.9 x 28   | 16.9 x 30   |
| Travel Speeds:<br>Forward / Reverse |            |             |             |
| 1st                                 | Km/h (mph) | 5.4 (3.3)   | 5.5 (3.4)   |
| 2nd                                 | Km/h (mph) | 8.7 (5.4)   | 8.9 (5.5)   |
| 3rd                                 | Km/h (mph) | 19.9(12.4)  | 20.4 (12.7) |
| 4th                                 | Km/h (mph) | 40.0 (24.9) | 41.0 (25.5) |

**AXLES AND BRAKES**

- Outboard planetary final drives for easier servicing.
- Foot operated differential lock for ease of operation.
- 16° front axle oscillation to maintain maximum ground contact and action.
- High capacity long life sealed wet disc brakes. Power boosted STD.
- Self-equalizing and self adjusting.
- Friction area per brake assembly 728cm<sup>2</sup> (113in<sup>2</sup>).
- Selectable 2 or 4 wheel braking.

| Axle Ratings   | Tyres     | SAE J43      |
|----------------|-----------|--------------|
| Front kg (lbs) | 12.5 x 18 | 6207 (13655) |
| Rear kg (lbs)  | 16.9 x 28 | 6155 (13541) |

**TURNING CIRCLES**

|                        |       | Over Tyres   | Over Bucket    |
|------------------------|-------|--------------|----------------|
| Without Brakes         | m(ft) | 7.7 (25' 3") | 10.7 (35' 1")  |
| With Brakes            | m(ft) | 6.8 (22' 3") | 10.0 (32' 10") |
| Depending on tyre size |       |              |                |

**TEREX Compact**  
**Central Boulevard**  
**Prologis Park**  
**Coventry**  
**CV6 4BX**  
**England**  
**Tel: +44(0) 024 7633 9400**  
**Fax: +44(0) 024 7633 9500**

[www.terexce.com](http://www.terexce.com)

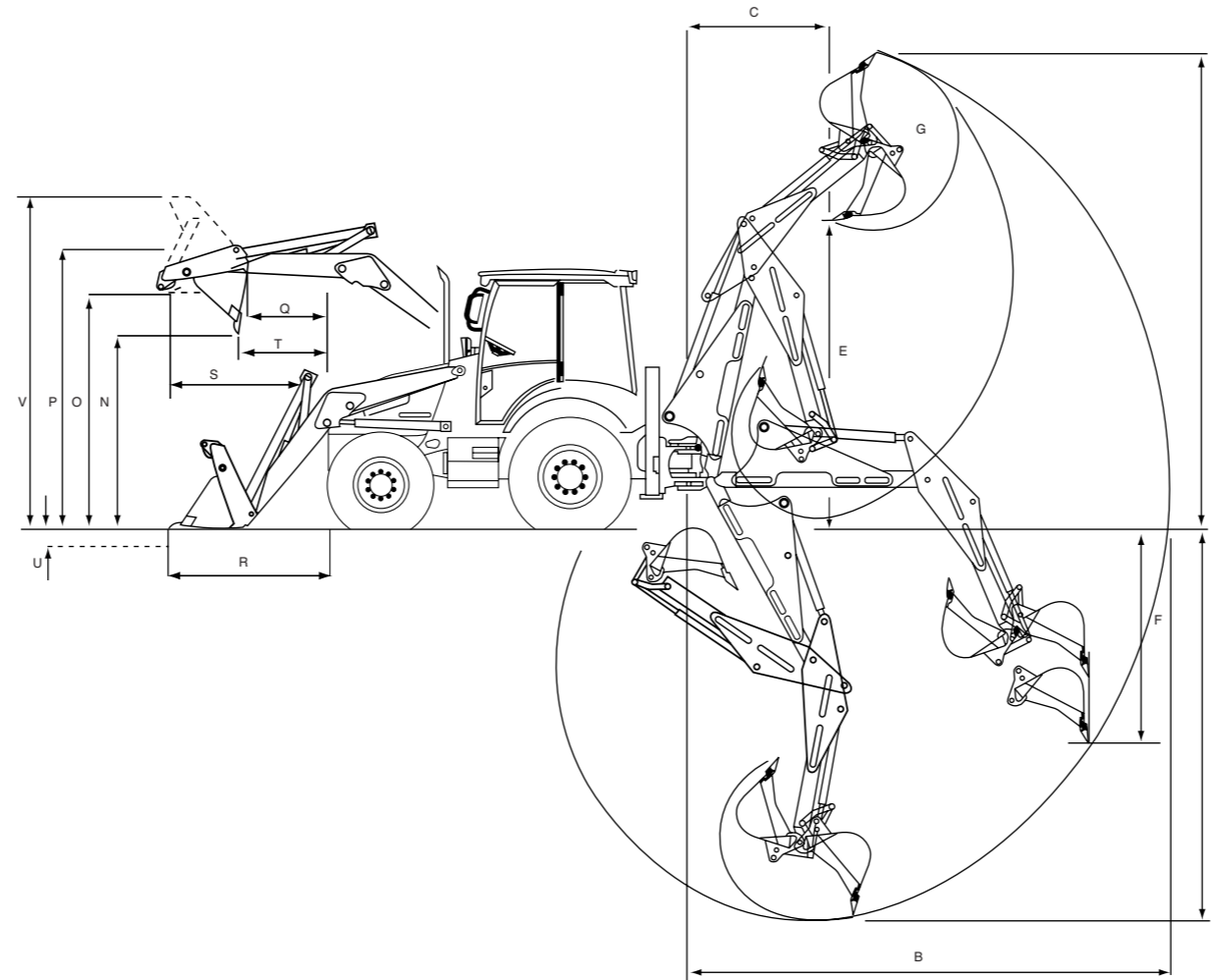
TEREX Compact reserve the right to change specification without notice.  
 Illustration may show options or accessories.

| LOADER DIMENSIONS                  |        |                 |                |
|------------------------------------|--------|-----------------|----------------|
|                                    |        | Standard Shovel | 7-in-1 Shovel  |
| N Dump Clearance at 45°            | mm(ft) | 2708 (8' 11")   | 2708 (8' 11")  |
| Dump Height (Fully Dumped)         | mm(ft) | 2629 (8' 8")    | 2629 (8' 8")   |
| O Loadover Height                  | mm(ft) | 3310 (10' 10")  | 3319 (10' 10") |
| P Hinge Pin Height                 | mm(ft) | 3550 (11' 8")   | 3550 (11' 8")  |
| Q Pin Forward Reach                | mm(ft) | 352 (1' 2")     | 352 (1' 2")    |
| R Reach At Ground                  | mm(ft) | 1622 (5' 4")    | 1622 (5' 4")   |
| S Max. Reach At Full Height        | mm(ft) | 1282 (4' 3")    | 1282 (4' 3")   |
| T Reach At Full Height- 45°        | mm(ft) | 829 (2' 9")     | 829 (2' 9")    |
| Reach At Full Height- Fully Dumped | mm(ft) | 645 (2' 1")     | 645 (2' 1")    |
| U Dig Depth                        | mm(ft) | 156 (6")        | 156 (6")       |
| Rollback At Ground                 | deg    | 45°             | 45°            |
| Max Dump Angle                     | deg    | 57°             | 57°            |
| V Overall Operating Height         | mm(ft) | 4230 (13' 11")  | 4580 (14' 1")  |

| LOADER PERFORMANCE           |           |                 |               |
|------------------------------|-----------|-----------------|---------------|
|                              |           | Standard Shovel | 7-in-1 Shovel |
| Shovel Breakout              | kgf (lbf) | 4756 (10485)    | 4580 (10097)  |
| Arms Breakout                | kgf (lbf) | 4685 (10329)    | 4345 (9597)   |
| Lift Capacity To Full Height | kg (lb)   | 3449 (7604)     | 3058 (6742)   |

| LOADER ATTACHMENTS |          |                 |               |
|--------------------|----------|-----------------|---------------|
|                    |          | Standard Shovel | 7-in-1 Shovel |
| Width              | mm (ft)  | 2311 (7' 7")    | 2311 (7' 7")  |
| Capacity           | m³ (yd³) | 1.0 (1.32)      | 1.0 (1.32)    |
| Weight             | kg (lb)  | 400 (880)       | 730 (1606)    |

| FORKS                       |          |                 |               |
|-----------------------------|----------|-----------------|---------------|
|                             |          | Standard Shovel | 7-in-1 Shovel |
| Fork Length                 | mm (ft)  | 1067 (3' 6")    | 1067 (3' 6")  |
| Section Width               | mm (ins) | 80 (3")         | 80 (3")       |
| Assembly Weight             | kg (lb)  | 150 (330)       | 150 (330)     |
| Max. Operating Height       | mm (ft)  | 3097 (10' 2")   | 3097 (10' 2") |
| Reach At Ground Level       | mm (ft)  | 2697 (8' 10")   | 2697 (8' 10") |
| Reach At Full Height        | mm (ft)  | 2232 (7' 4")    | 2232 (7' 4")  |
| S.W.L. At 500mm Load Centre | kg (lb)  | 1000 (2204)     | 1000 (2204)   |



| CAPACITIES               |             |                 |               |
|--------------------------|-------------|-----------------|---------------|
|                          |             | Standard Shovel | 7-in-1 Shovel |
| Fuel Tank                | ltrs (gals) | 130 (29)        | 130 (29)      |
| Engine Coolant           | ltrs (gals) | 16.0 (3.5)      | 16.0 (3.5)    |
| Engine Oil (inc. Filter) | ltrs (gals) | 8.5 (1.9)       | 8.5 (1.9)     |
| Transmission             | ltrs (gals) | 15.0 (3.3)      | 15.0 (3.3)    |
| Rear Axle                | ltrs (gals) | 17.5 (3.9)      | 17.5 (3.9)    |
| Front Axle (4WD)         | ltrs (gals) | 12.5 (2.7)      | 12.5 (2.7)    |
| Hydraulic System         | ltrs (gals) | 143 (31.7)      | 143 (31.7)    |

- ELECTRICS**
- 12 volt system.
  - Battery step mounted for good access.
  - Low maintenance battery.
  - 75 A alternator. 100A option.
  - Connectors sealed against water and dust.
  - 33 circuit fuses.
  - 25 circuit relays.
  - Battery isolator.

| BACKHOE DIMENSIONS                |         |                 |                 |                |
|-----------------------------------|---------|-----------------|-----------------|----------------|
|                                   |         | Standard Dipper | Deep Dig Dipper |                |
|                                   |         |                 | Ret             | Ext            |
| A Dig Depth -                     |         |                 |                 |                |
| Maximum SAE                       | mm (ft) | 4471 (14' 8")   | 4471 (14' 8")   | 5815 (19' 1")  |
| 2ft Flat Bottom SAE               | mm (ft) | 4455 (14' 7")   | 4455 (14' 7")   | 5804 (19' 1")  |
| B Reach - Ground                  |         |                 |                 |                |
| Level To Slew                     | mm (ft) | 5730 (18' 10")  | 5730 (18' 10")  | 7020 (23' 1")  |
| C Loading Reach                   | mm (ft) | 1996 (6' 7")    | 1996 (6' 7")    | 2924 (9' 7")   |
| D Operating Height                | mm (ft) | 5659 (18' 7")   | 5659 (18' 7")   | 6637 (21' 9")  |
| E Loading Height SAE              | mm (ft) | 3553 (11' 8")   | 3553 (11' 8")   | 4531 (14' 10") |
| Max Load Height                   | mm (ft) | 3871 (12' 8")   | 3871 (12' 8")   | 4849 (15' 11") |
| F Maximum Straight Wall Dig Depth | mm (ft) | 2602 (8' 6")    | 2602 (8' 6")    | 3991 (13' 1")  |
| G Bucket Rotation -               | deg     | 194°            | 194°            | 194°           |
| Total Side Shift                  | mm (ft) | 1286 (4' 3")    | 1286 (4' 3")    | 1286 (4' 3")   |
| Stabiliser Spread                 | mm (ft) | 2115 (6' 11")   | 2115 (6' 11")   | 2115 (6' 11")  |
| Maximum Levelling Angle           | deg     | 8°              | 8°              | 8°             |

| BACKHOE PERFORMANCE                        |            |                 |                 |               |
|--|------------|-----------------|-----------------|---------------|
|  |            | Standard Dipper | Deep Dig Dipper |               |
|  |            |                 | Ret             | Ext           |
| Slew Torque                                | Nm (lbfft) | 16100 (11875)   | 16100 (11875)   | 16100 (11875) |
| Dipper Tearout                             | kgf (lbf)  | 3946 (8670)     | 3946 (8670)     | 2644 (5829)   |
| Bucket Tearout -                           | kgf (lbf)  | 5260 (11596)    | 5260 (11596)    | 5260 (11596)  |
| Hydraulic Lift Capacity (Including Bucket) | kg (lb)    | 1384 (3051)     | 1148 (2531)     | 812 (1790)    |

| BACKHOE ATTACHMENTS |               |                    |        |         |
|---------------------|---------------|--------------------|--------|---------|
| Attachments         | Width         | Capacity           | Weight |         |
| Trench Bkts         | 12in (305mm)  | 2.94ft³ (83ltrs)   | 207lb  | (94kg)  |
|                     | 18in (450mm)  | 4.37ft³ (124ltrs)  | 247lb  | (112kg) |
|                     | 24in (600mm)  | 6.51ft³ (184ltrs)  | 295lb  | (134kg) |
|                     | 24in (600mm)  | 8.22ft³ (233ltrs)  | 295lb  | (143kg) |
|                     | 30in (750mm)  | 8.74ft³ (248ltrs)  | 342lb  | (155kg) |
| Ditch cleaning      | 36in (900mm)  | 11.03ft³ (312ltrs) | 390lb  | (177kg) |
|                     | 60in (1525mm) | 8.0ft³ (220ltrs)   | 320lb  | (145kg) |
| Sq hole bucket      | 72in (1830mm) | 10.0ft³ (300ltrs)  | 388lb  | (176kg) |
|                     | 36in (900mm)  | 4.41ft³ (125ltrs)  | 353lb  | (160kg) |